

# Faster, easier, more profitable -

Individual hook set ups from PA Trellising Systems Inc.



**PA Trellising Systems**



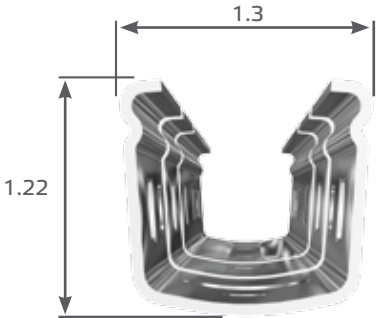
**Our row posts and end posts: easy to set and use**

Our posts are provided with a versatile-innovated hook system. Our outer hooks facilitate your work. The posts have a length ranging from 55" to 118" to suit all forms of Vine growing adopted in the USA.

**Post P3**



Our Vine Training stake used between our P5M or P5L row posts. Ideal for Crossarm installation where double or quad cordons are used, for heavy fruit loads.



**Depth table:**

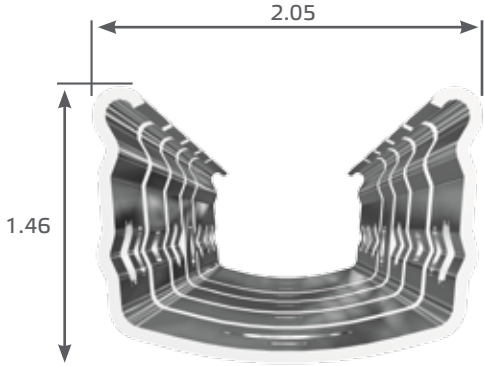
Length [inch]	Depth [inch]
60	20
66	20
72	22
78	24

Please note: the opening of row posts must always be oriented towards the slope. Post spacing <200 inch. Steel posts should be placed about 8" deeper into the ground than wooden posts.

**Stake P5M**



Our row post P5M offers the best solution for all vineyards. The standard model has a hook spacing of 3.94" and is equipped with the patented tailored S-hooks. These form large and stable wire eyes and are suitable for every machine.



**Depth table:**

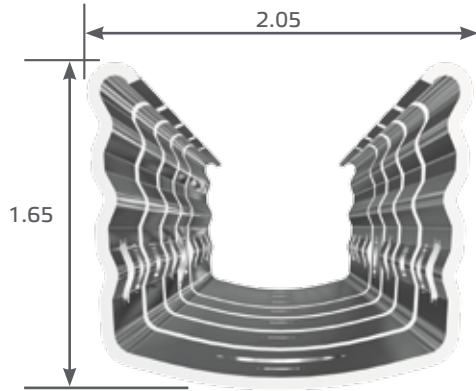
Length [inch]	Depth [inch]
96	27-30
102	31
108	34

Please note: the opening of row posts must always be oriented towards the slope. Post spacing <200 inch. Steel posts should be placed about 8" deeper into the ground than wooden posts.

## Stake P5L



Our strongest intermediate post. The P5L is used for post heights of up to 118", where the trellis needs height for sunlight, creates a heavy and dense leaf wall and therefore requires a sturdy install and larger base.

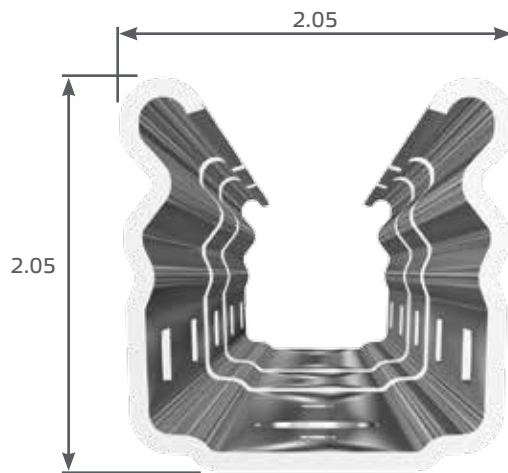


### Depth table:

Length [inch]	Depth [inch]
96	27-30
102	31
108	33-35

Please note: the opening of row posts must always be oriented towards the slope. Post spacing <200 inch. Steel posts should be placed about 8" deeper into the ground than wooden posts.

## Post P5E (end post)



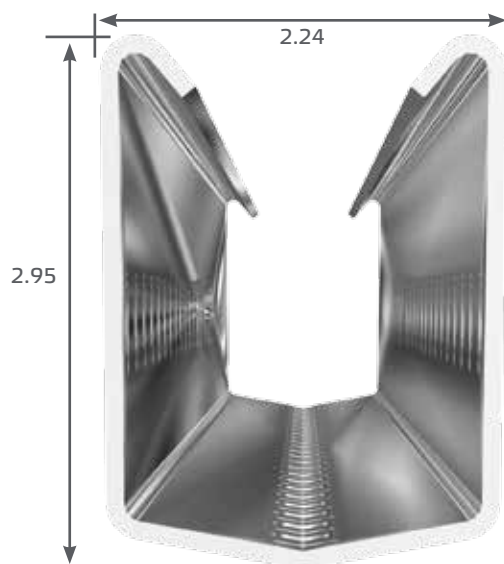
The end post of choice for all trellis types, with two steel strip thicknesses available. Hooks and holes on the end post allow for accessories to be installed easily.

### Depth table:

Length [inch]	Depth [inch]
96	28
108	35
120	37

Please note: end posts must always be approx. 3.94"-7" deeper than the first or the last row post.

## Post P7E (end post)



The new P7E was specifically designed for dynamic use in fruit growing and viticulture. The large cross-section of the pole, the dimension of 2.95" in pull direction provides the EP 75 with a stability that meets the highest demands.

### Depth table:

Length [inch]	Depth [inch]
96	28
108	35
120	37

Please note: end posts must always be approx. 3.94"-7" deeper than the first or the last row post.

## Our Crossarm System

Our Crossarm Installation is the fastest in the industry. It comes with a lock system that will allow you to install them in seconds. They are maintenance free and no nuts and bolts necessary. Can be installed on P3, P5M and P5L posts. in combination with our P5 or P3 stake, the crossarm is machine harvesting friendly.



### Size table:

Length [inch]
6
12
18
24
30
36

### Special models

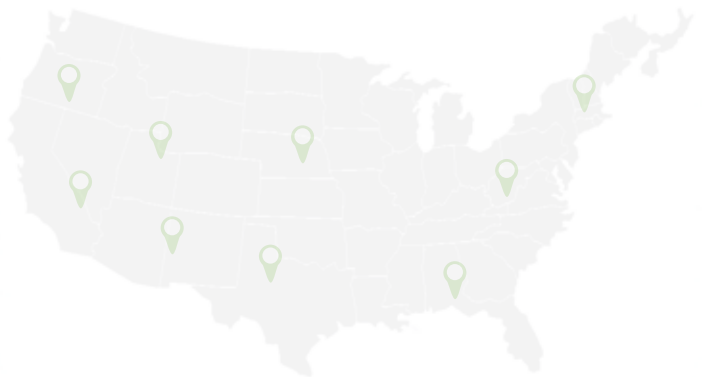
Please note, that special models are available according to demand and after technical clarification. However, longer delivery times must be expected. We therefore suggest to clarify and order special models already in the early season between June and September. In the peak season from January to May, special models are mostly not available.

**For more information, please contact our sales departments.**

### Main Office:

PA Trellising Systems  
74 Woodlake Dr  
Charlottesville, VA 22901  
404 992 6236

 [patrellising.com](https://www.patrellising.com)



**PA Trellising Systems**